

Journal of
VASCULAR SOCIETIES

GREAT BRITAIN & IRELAND

RATE CARD

The *Journal of Vascular Societies Great Britain and Ireland (JVSGBI)* is available to consultants, doctors, medics, trainees, nurses, physiotherapists, technologist and students with an interest in the care and treatment of vascular patients.

PUBLISHED QUARTERLY, WITH FREE UNRESTRICTED ONLINE ACCESS TO FULL CONTENTS

The journal is owned by the Vascular Society for Great Britain and Ireland (VSGBI)

AFFILIATED SOCIETIES INCLUDE:



www.jvsgbi.com

Journal of VASCULAR SOCIETIES

GREAT BRITAIN & IRELAND

EDITOR IN CHIEF

Ian Chetter, *Vascular Society GB&I Vice President Elect*

ASSISTANT EDITORS

Rachel Bell, *Vascular Society GB&I President*
Alistair McCleary, *Vascular Society GB&I Treasurer*

The JVSGBI is an international peer-reviewed journal which publishes relevant, high quality original research, reviews, case reports and news to support the vascular community.

PUBLISHING OPPORTUNITIES

JVSGBI publish supplements with the journal. Consider publishing specially commissioned reviews on the proceedings of meeting or satellite symposia. Full content of supplements will be published online free-of-charge.

Subject to peer review and editorial control.

ROUNDTABLES AND WORKSHOPS

JVSGBI will consider proposals for the organisation of roundtables and workshops which will subsequently be published as supplements or meeting reports.

PREPRINTS AND REPRINTS

JVSGBI offers the opportunity to order competitively priced preprints and reprints of papers and supplements.

Copyright licenses are also available with translation into other languages.

ADVERTISING RATES

WEBSITE

Rotating banner across top of home page	£350/per month
Unit advert on three pages	£125/month

JOURNAL

POSITION	x 1	x 2	x 3	x 4
Full page	£1,250	£1,200	£1,150	£1,000
Double page spread	£1,400	£1,300	£1,250	£1,100
Outside back cover	£1,250	£1,200	£1,150	£1,000
Inside front cover	£1,250	£1,200	£1,150	£1,000
Inside back cover	£1,250	£1,200	£1,150	£1,000
Half page	£550	£500	£450	£400
Quarter page	£300	£300	£250	£200

- **Special positions:** Cost available on request
- **Publication dates:**
February, May, August, November
- **Print circulation:** Online unless printed for specific events
- **Copy date:** 18th of month prior to publication
- **Terms of payment:** Net 30 days
- **Agency commission:** 10%
- **Cancellation policy:**
50% if more than 28 days prior to copy date
100% if within 28 days prior to copy date

All enquiries to
EDITORIAL OFFICE
The Vascular Society of
Great Britain & Ireland
c/o Executive Business Support Ltd
City Wharf, Davidson Road
Lichfield, Staffordshire
WS14 9DZ

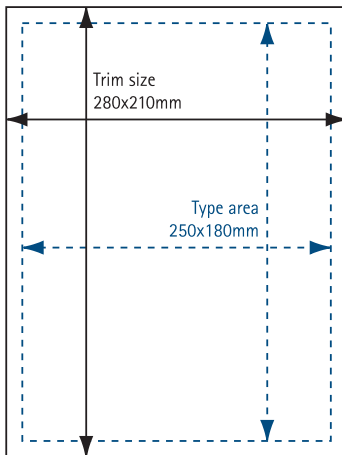
Contact: Helen Jones
Email: editorialoffice@jvsgbi.com

Journal of VASCULAR SOCIETIES

GREAT BRITAIN & IRELAND

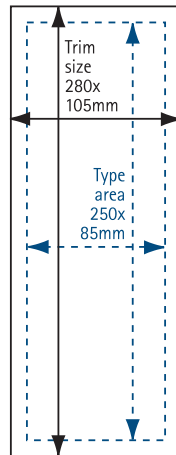
MECHANICAL SPECIFICATIONS

FULL PAGE



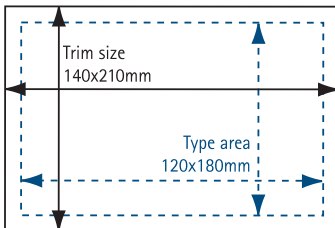
Bleed 286x216mm

HALF PAGE VERTICAL



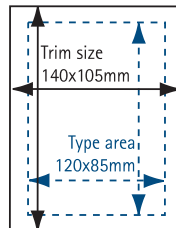
Bleed 286x105mm
add an extra 3mm left hand side if bled into spine or right hand side if bled on fore-edge

HALF PAGE HORIZONTAL



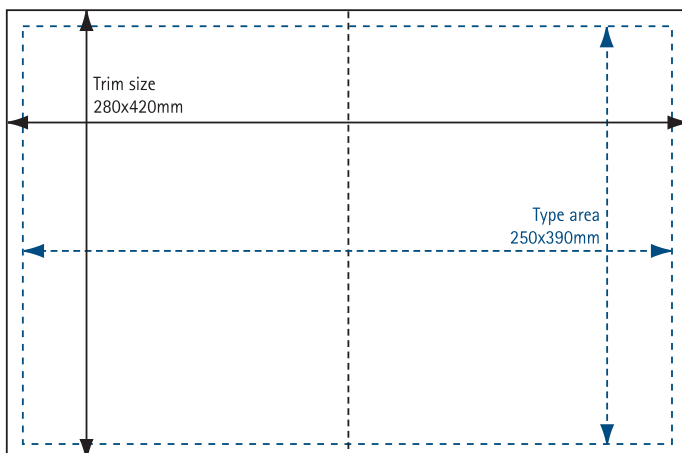
Bleed 143x213mm
add an extra 3mm if bled into spine

QUARTER PAGE



Bleed 143x108mm
add an extra 3mm if bled into spine

DOUBLE PAGE SPREAD (must be supplied as 2 single pages)



Bleed 286x436mm Gutter bleed 3mm either side

Double page spreads only accepted if supplied as 2 single pages

Binding rules: Please ensure there are no words / logos / detailed images running over the spine. Minimum size for text running page to page is 24pt.

- Artwork MUST be supplied via email:

JVSGBI ONLY ACCEPT THE ADOBE PDF FORMAT

Details on how to set-up your PDF file can be found at:

1. PASS 4 PRESS - The UK standard
<https://www.ppa.co.uk/resource/pass4press-download>
2. OUR PRINTERS WEB-SITE
<http://www.stephensandgeorge.co.uk>

Both sites contain configuration settings for QuarkXpress/InDesign and Adobe Acrobat 4 and above. Please do not send PDFs which have NOT been created from Acrobat Distiller unless you have arranged this in advance.

It is recommended you pre-flight check your PDF prior to submission.

If you have any technical queries in relation to the above then please email: editorialoffice@jvsgbi.com

Alternatively you can contact the pre-press department at our printers on +44 (0)1685 388888 to obtain more specialised information on the PDF format.

- Advert/product name and full copy instruction MUST be included in the email.

- Binding: Saddle-stitch.

- Printing process: Sheetfed offset litho.

**ALL ADVERTISEMENT
COPY SHOULD BE SENT
VIA EMAIL TO:
editorialoffice@jvsgbi.com**